

LED

870-INSPIRE AIR

High-end dust and waterproof luminaires for outdoor with LED modules.

A professional solution especially for outdoor applications. 870-Inspire Air withstands the impact of adverse weather conditions.

YOUR MAIN BENEFITS:

Enhanced weather resistance (sunlight, rain, wind). Suitable for outdoor applications with errorfree functioning. Gear tray integrated into the diffuser. Quick installation even without disassembling the luminaire.

**870-INSPIRE AIR****IP66**

Option:



FIELD OF APPLICATION:

Due to the construction principles of gasket, closing system and diffuser our fixtures ensure a high grade of protection (IP66) against dust, contamination and water permeation. In accordance with their IP grade they can be used widely to illuminate areas with dusty and humid environment.

Thanks to its enhanced weather resistance, **870-Inspire Air** is especially suitable for applications, where **errorfree functioning in outdoor conditions** is desired.

TECHNICAL DESCRIPTION AND BENEFITS:

- **Housing:** Available flame retardant **GRP** - glass fibre reinforced polyester in light grey (RAL7035) colour. Glass fibre reinforced polyester has very good temperature resistance, mechanical stability, furthermore it is a good electrical insulator, it resists the impacts of several chemicals and the impacts of weather conditions. Its stability of size and shape at changing temperatures is excellent.
- **Diffuser:** is available in injection moulded **opalised Acrylic PMMA** with unique non-aging properties, extremely high light permeability and well-balanced light dispersing. The diffusers are designed with respect to their optical characteristics and are UV resistant. Main advantages: **weather resistance** and extremely high light efficiency.
 - **Further benefits:**
 - **Extremely high light transmissivity (up to 90%)**
 - **Homogenous, well-balanced light dispersing** (no shadows)
 - Keeping the usual, well known features of the diffuser such as **chemical and heat resistance, mechanical features, UV stabilization** etc.
 - **Universal width** (no single and twin) simplifies the light calculation
- The **gasket** between the diffuser and housing is **injected silicone-based** endless foam.
- **Fixing the diffuser to the body:** With **stainless steel** clips.
- **Gear tray** (reflector): **The gear tray is integrated into the diffuser** thus enabling a **cost efficient and user-friendly installation** even **without disassembling** the luminaire. White powder coated steel sheet according to **Zhaga standards** or customized.
- **Electrical components:** The adequate power supply is ensured through electronic driver.

Main technical options

Our new **opalised** diffuser made of UV-stabilized material achieves an **outstanding light transmissivity up to 90%**. This great light permeability offers **high efficacy (up to 160 lm/W)** emitted from the luminaire. Feel free to choose from our two types of slightly different diffuser designs.



A the **original** diffuser design



B the **modified oval** variant



870-INSPIRE AIR

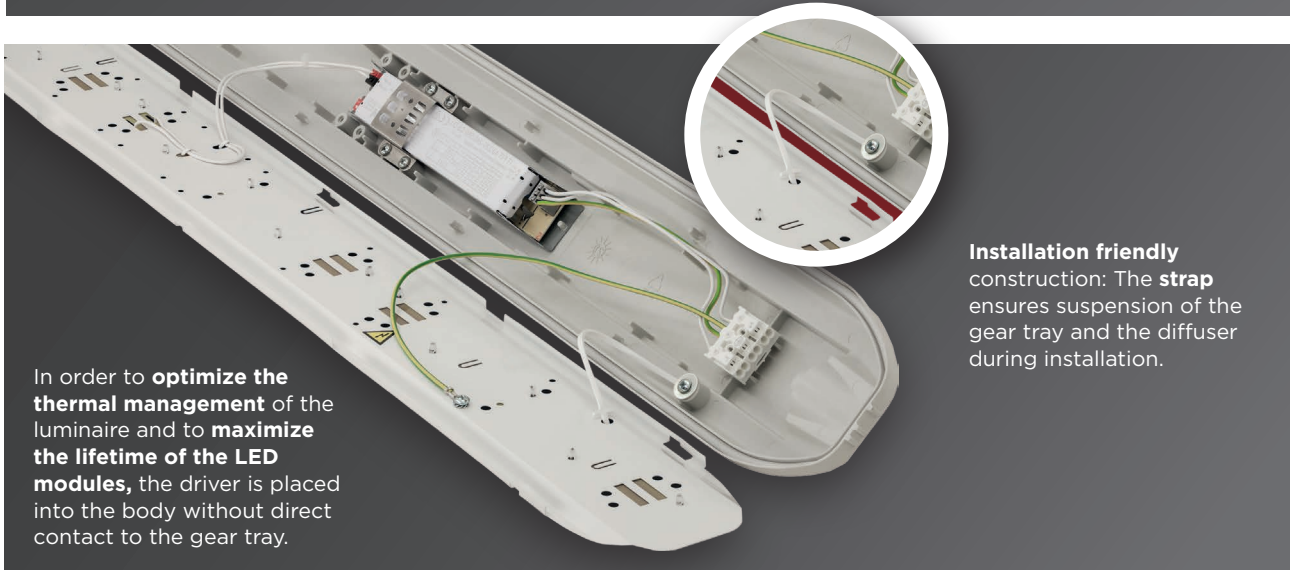


The **stainless steel clips** stay in their position during installation and can be released by bare hands.

Compatible with all optional accessories and smart solutions!



In the interest of **LED board protection** the **gear tray is integrated into the diffuser** thus enabling a **cost efficient and user-friendly quick installation** even without disassembling the luminaire.



In order to **optimize the thermal management** of the luminaire and to **maximize the lifetime of the LED modules**, the driver is placed into the body without direct contact to the gear tray.

Installation friendly construction: The **strap** ensures suspension of the gear tray and the diffuser during installation.

The **gear tray**, made of white powder coated steel sheet according to **Zhaga** standards, **is integrated into the diffuser**. With **870-Inspire Air** - depending on customer requirements - we can reach different levels of luminous flux from **2700 up to 14500 lumen** with maximum **efficacy up to 160 lm/W**. Details see: Technical data.

The injected **silicon-based gasket** with enhanced resistance ensures **maximum** chemical and weather **resistance** even under tough conditions. This endless foam sealing ensures the high IP protection up to IP66.



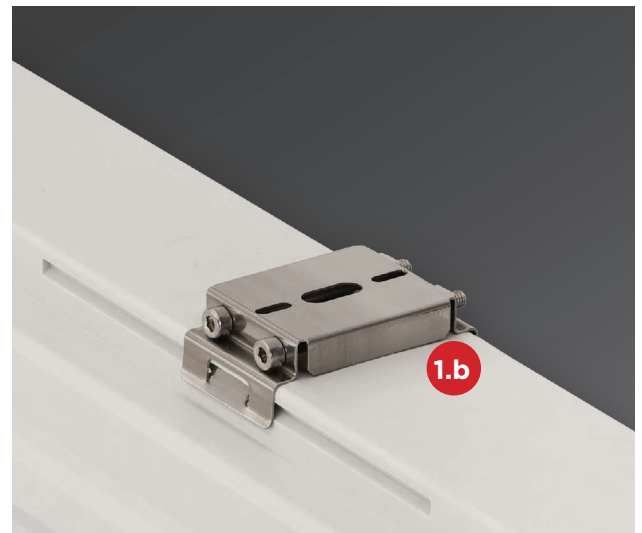
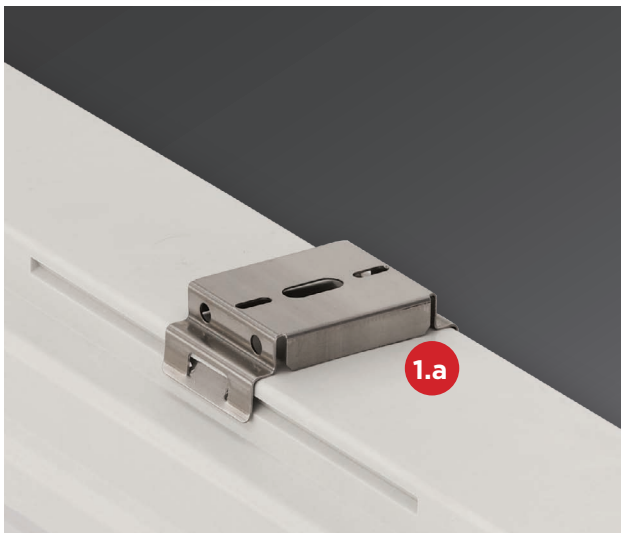
OPTIONS FOR CABLE ENTRY:

Venting cable gland

Comes with **venting cable gland** in order to prevent the build-up of moisture inside the luminaire thus avoiding its damage.

The **Rapid Connector** enables the electrical connection **without disassembling** the luminaire.

The **venting plug** is a pressure equalizer instead of the venting cable gland in case of application of rapid connector



Ways of installing (options):
With **strengthened** (0,6 mm) stainless steel mounting brackets.
1.a They are easy-to-install onto the **ceiling or the wall** (in horizontal position).

1.b In case of vertical positioning, **special screws** keep the mounting brackets tight avoiding the luminaire from sliding.

Easy installation: Adjustable distance of the mounting brackets (they can be positioned laterally on the housing)

Technical data (extract)

* EPREL data base is available at <https://eprel.ec.europa.eu/screen/product/lightsources/xxxxxxx> (where the xxxxxx have to be substituted by the reference number given in the last column)

Products with 2 years warranty	Power (W)	Lum. total luminous flux emitted (lm)		Lum. efficacy (lm/W)		CCT (Kelvin)	CRI	Lifetime L70B50 (Ta=45°C)	Lifetime L80B10 (Ta=45°C)	A (mm)	B (mm)	Weight (kg)	EEI	Light source* (reference)
		PMMA	PC	PMMA	PC									
Lumnium EU 130 with Osram driver														
870 4ft (1200mm)	24	3400	n.a.	142	n.a.	4000	>80	>72 000 h**	>50 000 h**	1174	700±76	2	D	802364
870 5ft (1500mm)	30	4300	n.a.	143	n.a.	4000	>80	>72 000 h**	>50 000 h**	1454	1000±76	2,2	D	734821
870 4ft (1200mm)	37	5200	n.a.	140	n.a.	4000	>80	>72 000 h**	>50 000 h**	1174	700±76	2	D	734862
870 5ft (1500mm)	51	7000	n.a.	137	n.a.	4000	>80	>72 000 h**	>50 000 h**	1454	1000±76	2,2	D	734813
Lumnium EU PRO 160 with Osram driver														
870 4ft (1200mm)	22	3450	n.a.	157	n.a.	4000	>80	>72 000 h	>50 000 h	1174	700±76	2	C	803878
870 5ft (1500mm)	27	4200	n.a.	157	n.a.	4000	>80	>72 000 h	>50 000 h	1454	1000±76	2,2	C	734800
870 4ft (1200mm)	32	5000	n.a.	158	n.a.	4000	>80	>72 000 h	>50 000 h	1174	700±76	2	C	803933
870 5ft (1500mm)	44	7000	n.a.	160	n.a.	4000	>80	>72 000 h	>50 000 h	1454	1000±76	2,2	C	734760
Lumnium EU PRO 160 with Osram DIP Switch driver														
870 4ft (1200mm)	19	3000	n.a.	162	n.a.	4000	>80	>72 000 h	>50 000 h	1185	700±78	2	C	803933
	23	3700												
	27	4500												
	32	5200												
870 5ft (1500mm)	25	4100	n.a.	163	n.a.	4000	>80	>72 000 h	>50 000 h	1477	1000±78	2,2	C	734760
	32	5200												
	38	6200												
	44	7200												

** The application of through-wiring may influence the Ta. Max.

Products with 2 years warranty	Power (W)	Lum. total luminous flux emitted (lm)		Lum. efficacy (lm/W)		CCT (Kelvin)	CRI	Lifetime L70B50 (Ta=35°C)	Lifetime L80B10 (Ta=35°C)	A (mm)	B (mm)	Weight (kg)	EEI	Light source* (reference)
		PMMA	PC	PMMA	PC									
Lumnium EU PRO 140 HF with Philips driver														
870 4ft (1200mm)	61	8300	n.a.	136	n.a.	4000	>80	>72 000 h	>50 000 h	1174	700±76	2	D	734708
870 5ft (1500mm)	77	10400	n.a.	135	n.a.	4000	>80	>72 000 h	>50 000 h	1454	1000±76	2,2	D	734742
Philips Fortimo HV6														
870 4ft (1200mm)	60	8800	n.a.	146	n.a.	4000	>80	>100 000 h	>64 000 h	1174	700±76	2	C	893529
870 5ft (1500mm)	75	11000	n.a.	146	n.a.	4000	>80	>100 000 h	>64 000 h	1454	1000±76	2,2	C	893525 893529
Philips Fortimo HV6 HF 3klm/ft														
870 4ft (1200mm)	74	11300	n.a.	152	n.a.	4000	>80	>100 000 h	>64 000 h	1174	700±76	2	C	893537
870 5ft (1500mm)	92	14000	n.a.	152	n.a.	4000	>80	>100 000 h	>64 000 h	1454	1000±76	2,2	C	893533 893537

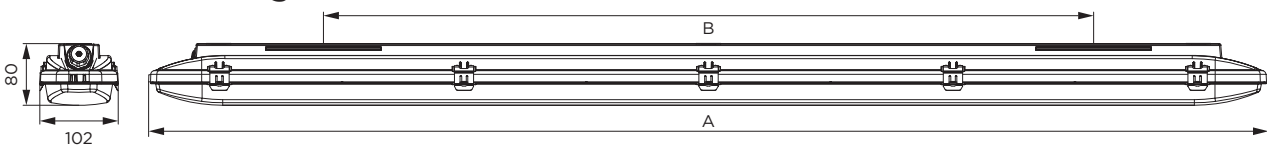
Further options:



On request:

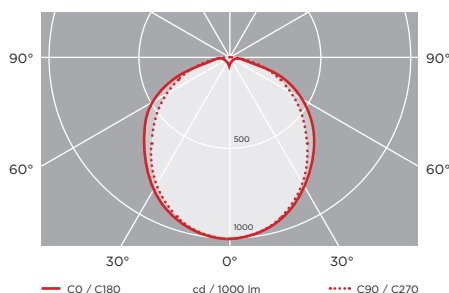


Schematic drawing with main dimensions

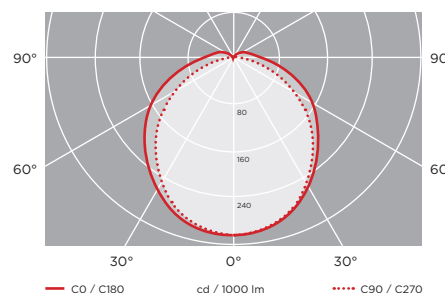


Photometric curves:

870-Inspire Air, 4ft, Lumnium EU 130, 24W, 3400 lm



870-Inspire Air, 5ft, Lumnium EU PRO 140 HF, 77W, 10400lm



Luminaire customisation and the options of advanced controls are presented on page 5

